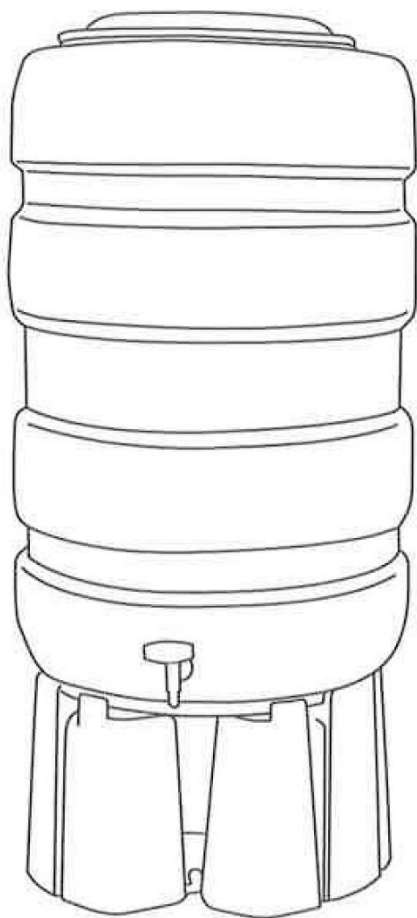


WATER BUTT KIT

Installation Instructions

250L Super Space Saver

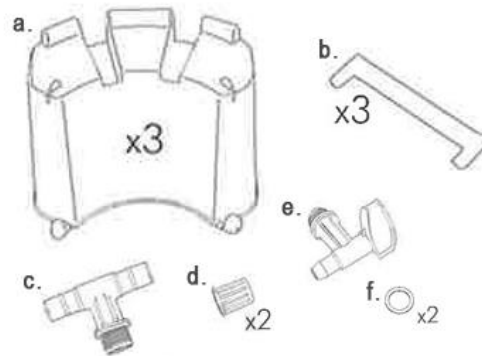
- Take practical steps to keep water bills down and switch to water wise gardening
- Simply fix to your downpipe to collect rainwater
- For a healthier garden, environment and bank balance



Before attempting to install your water butt, check kit contents and read through instructions carefully.

Kit Contents:

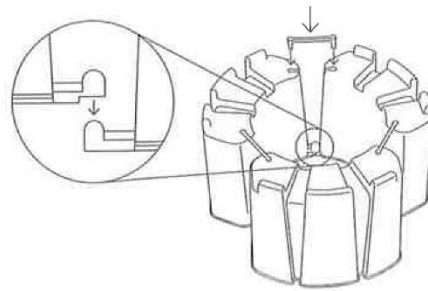
- a. 3 x Stand Pieces
- b. 3 x Plastic Link Clips *for stand assembly*
- c. T-Piece
- d. 2 x T-Piece caps
- e. Tap
- f. 2 x Washers (fitted)



INSTALLING YOUR WATER BUTT

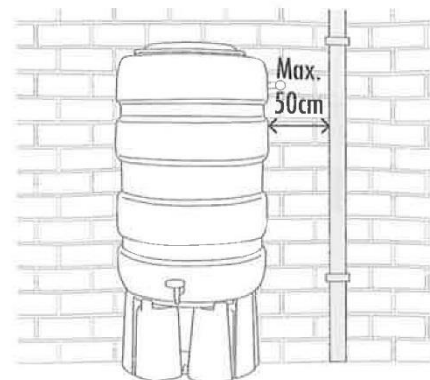
Step 1 – Assemble the Stand

- a) Place the three interlocking stand pieces on the floor and link the feet together.
- b) Secure using plastic link clips.



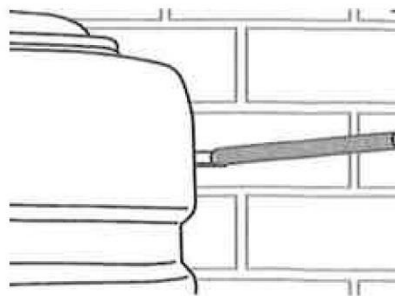
Step 2 – Place Water Butt on level ground

- a) Place the stand on a level surface.
- b) Screw T-Piece into the internally threaded hole in the top of the butt – ensure T-Piece is horizontal.
- c) Screw tap into internally threaded hole in the lower half of the butt, ensure tap is closed.
- d) Place the water butt on the stand with the tap facing forward.



Step 3 – Attaching your hose to the Gutter Mate Rainwater Diverter and Filter

- a) Attach the flexible hose between the T-Piece and the Filter Diverter.
- b) Fit the remaining outlet on the T-Piece with cap (provided).



If you don't have a Gutter Mate Rainwater Diverter and Filter – you can simply order yours from our website www.guttermate.co.uk. Gutter Mate comes in three colours: Black, White and Brown – to suit your downpipe.

Step 4 – Place Lid on Butt

- a) Place the lid on the butt and push to secure into place.



Freephone: 0800 035 2286 – Email: 2sales@guttermate.co.uk

Website: www.guttermate.co.uk

Gutter Mate Ltd, 7 Paynes Park, Hitchin, Herts, SG5 1EH